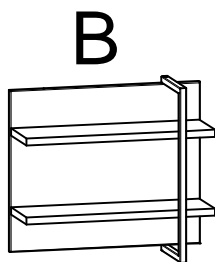
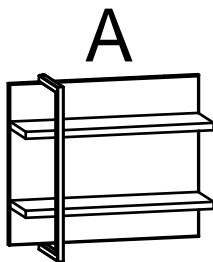
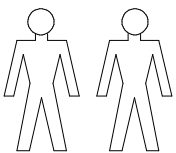
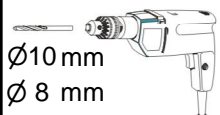
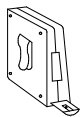
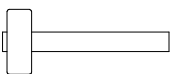
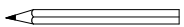
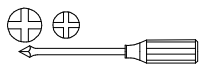
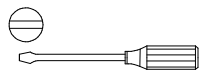


A**S507-P/5/6****10H9--42**

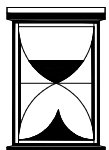
2 / 5



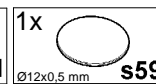
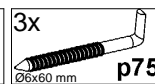
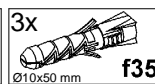
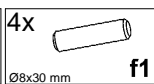
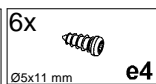
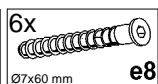
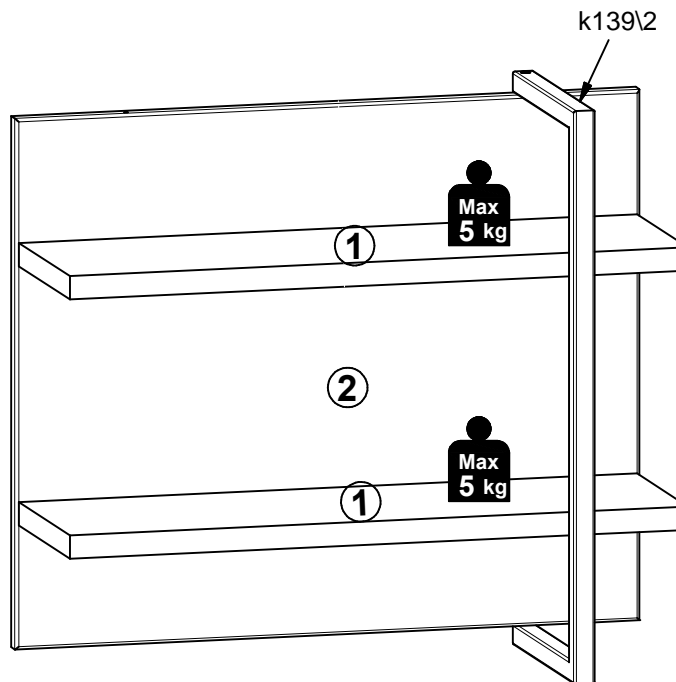
A	B	C1	C2	C3	D
1	S507-3017	594	183	22	1/1
2	S507-4507	500	600	16	1/1
3	k139\2				1/1



∅10 mm
∅ 8 mm



30min



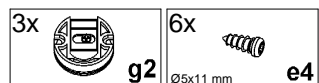
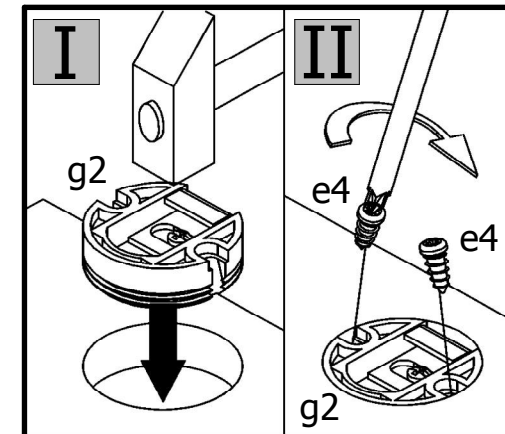
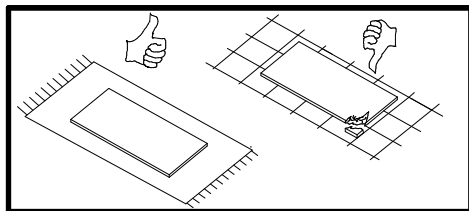
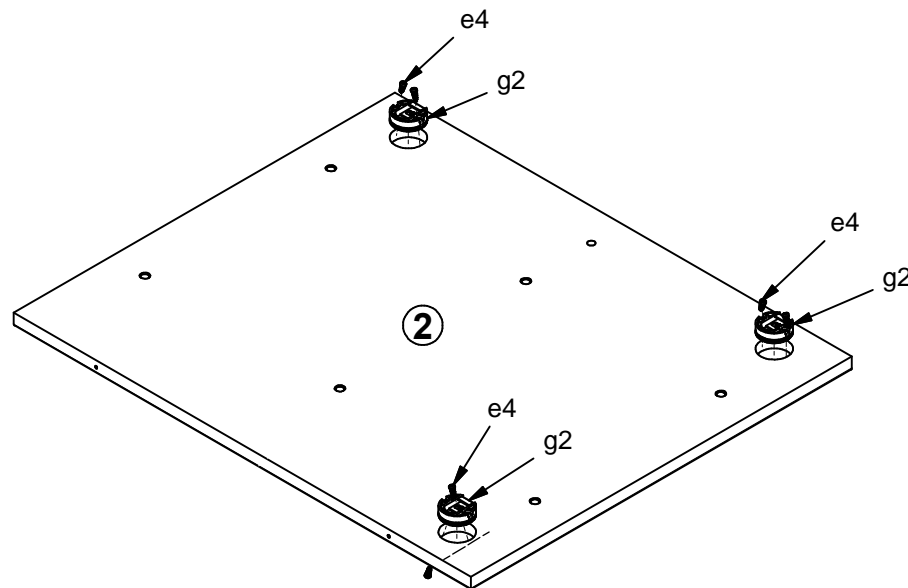
A

S507-P/5/6

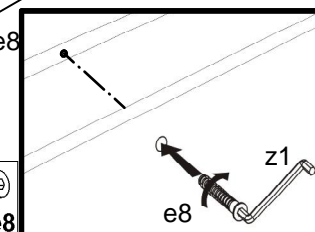
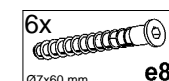
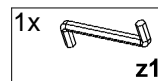
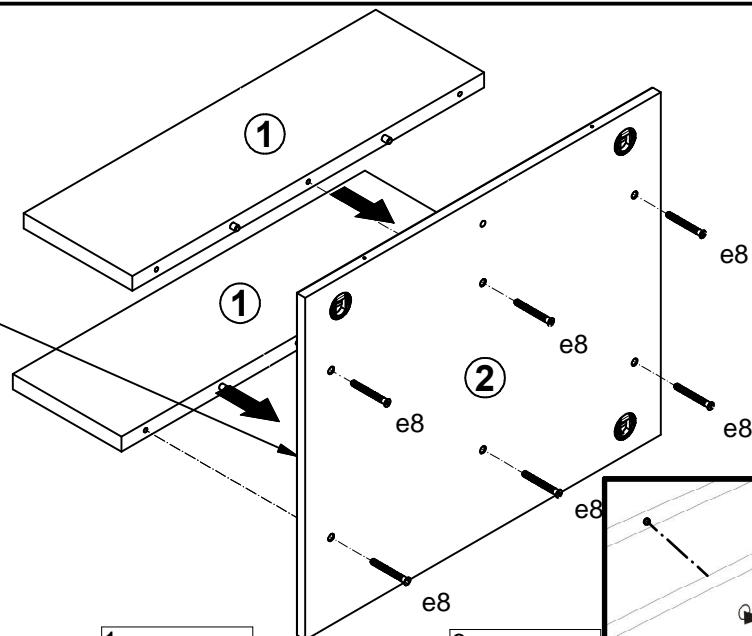
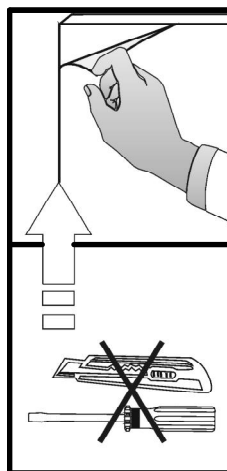
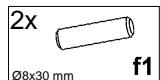
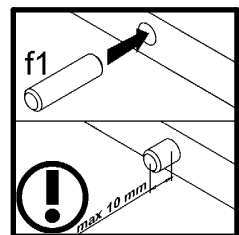
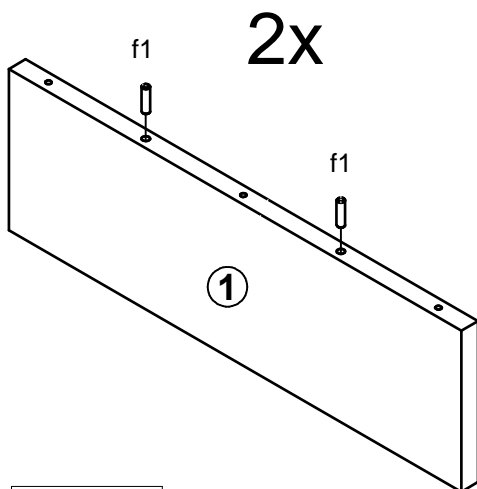
10H9--42

3 / 5

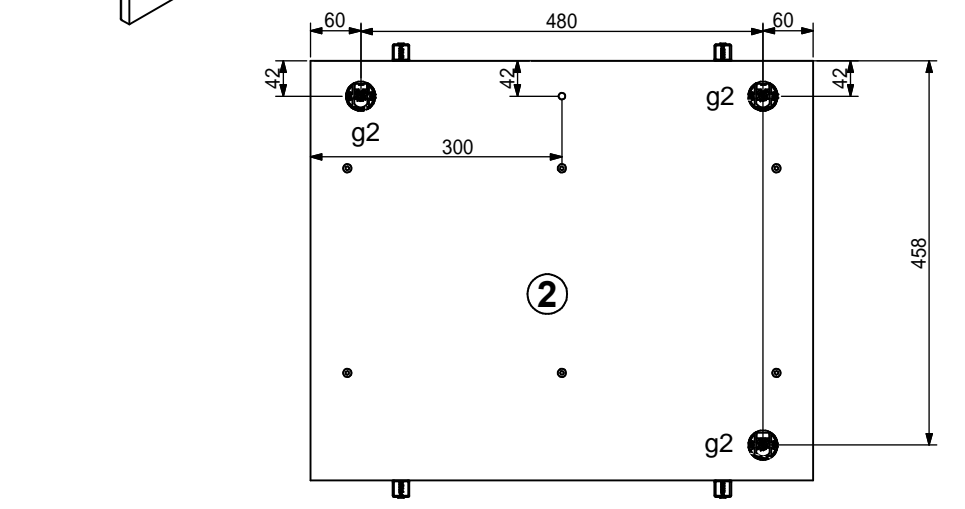
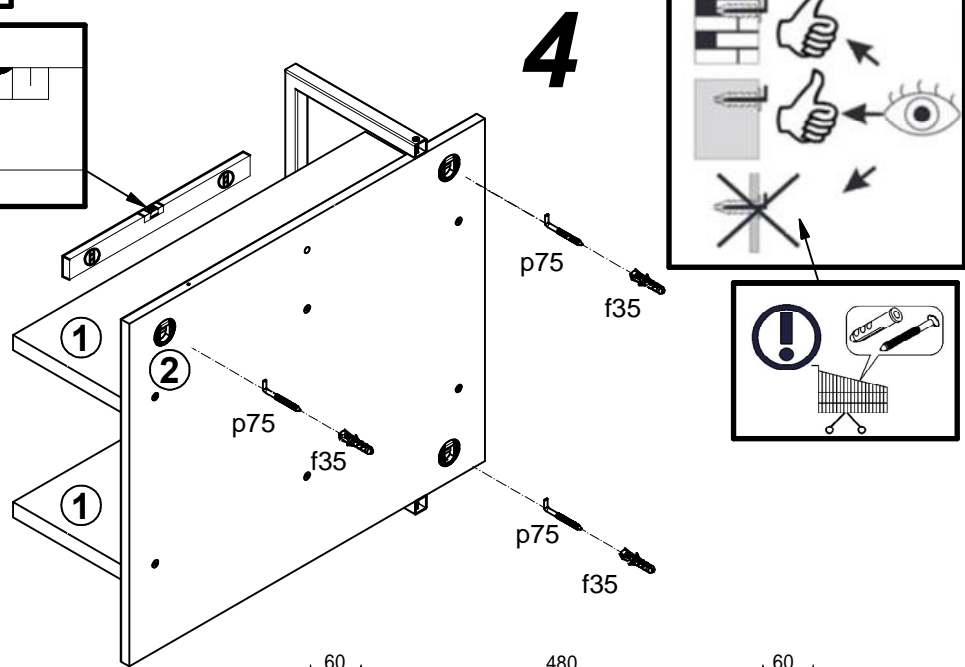
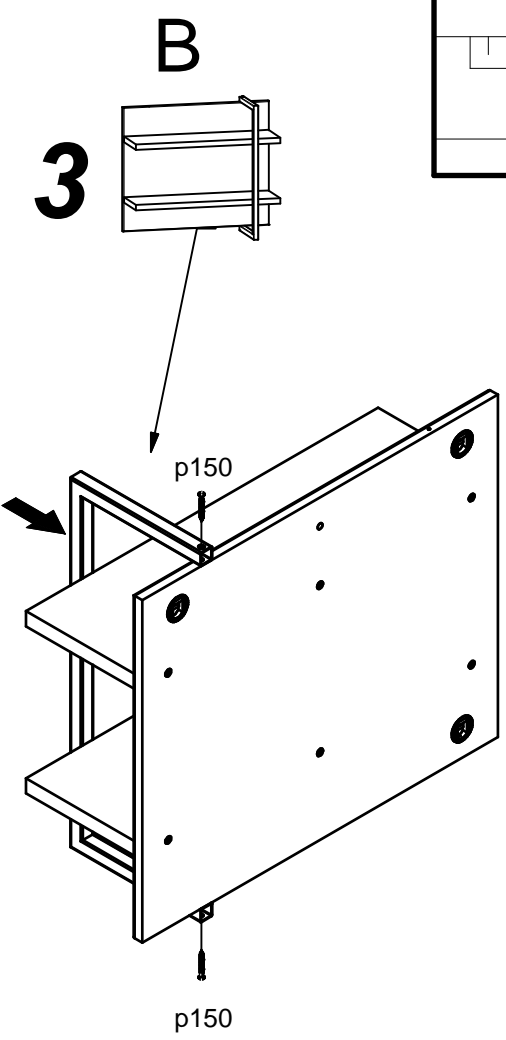
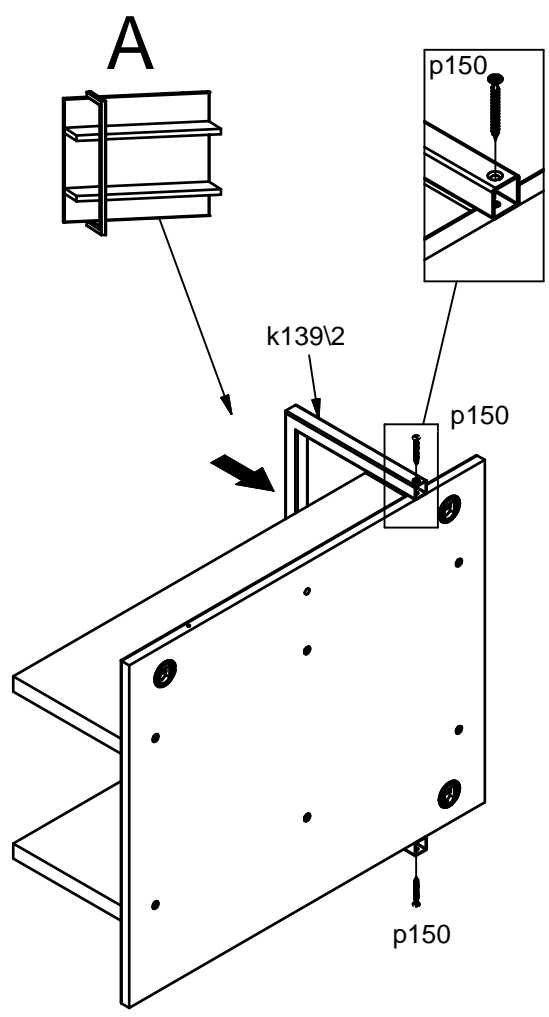
1 §2



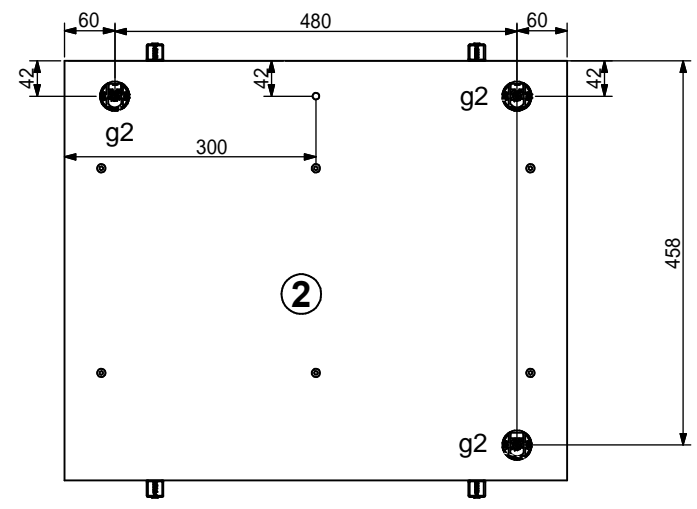
2 §6



Warning icons: $\$10$, $\$6$, $\$4$.
 Tool specifications: $\phi 10$ mm, f35, p75.



Safety and handling instructions: thumbs up, eye icon, crossed-out knife icon, and a warning icon with a screwdriver and a grid.



5

